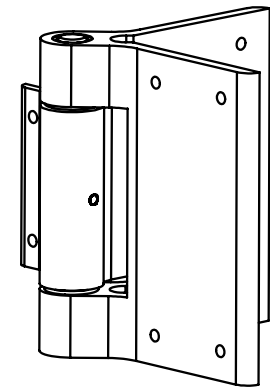
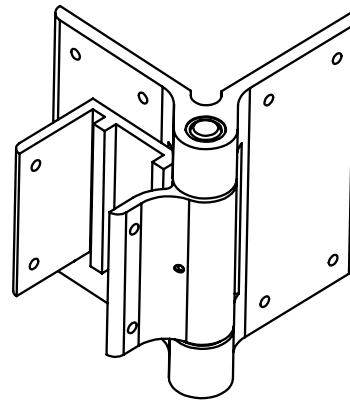
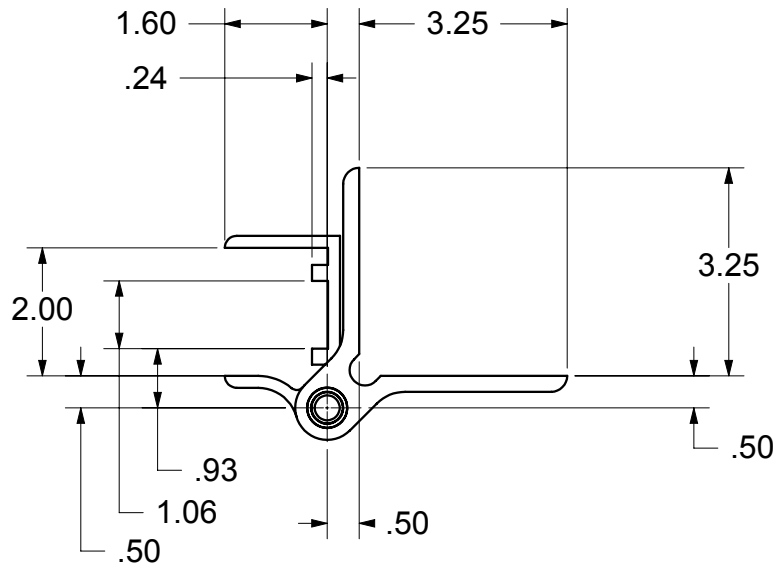
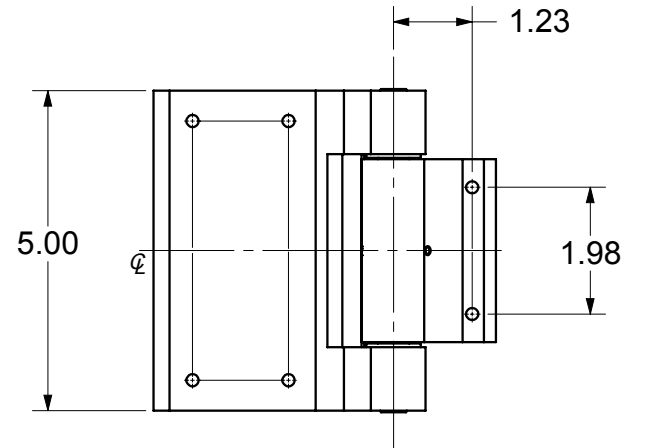
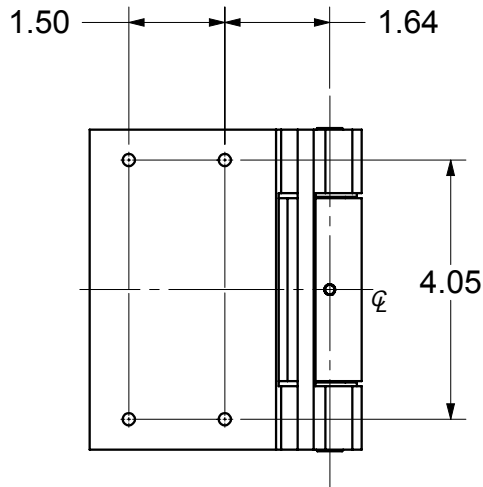
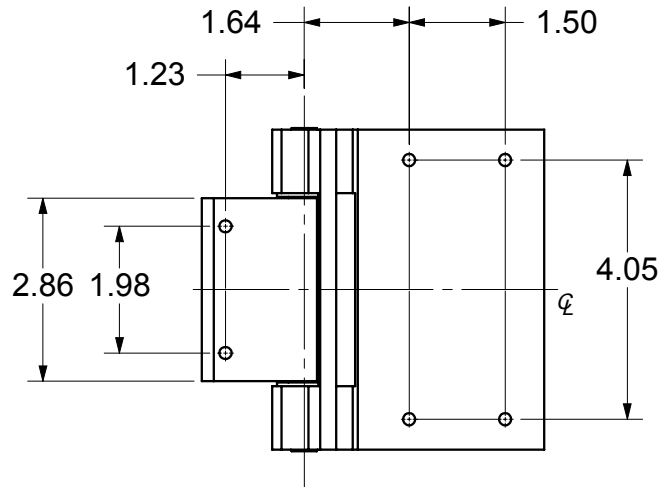



ECR/DCR		REV.		REVISIONS		DATE	APPD
				DESCRIPTION			
-	-	-	-	INITIAL RELEASE		01-22-10	-



DRAFT COPY

DIMENSIONS ARE IN INCHES TOLERANCES: FRACTIONAL $\pm 1/16"$ ANGULAR: MACH $\pm 1^\circ$ BEND $\pm 1^\circ$ TWO PLACE DECIMAL ± 0.01 THREE PLACE DECIMAL ± 0.005		 NATIONWIDE INDUSTRIES
PROPRIETARY AND CONFIDENTIAL THE INFORMATION CONTAINED IN THIS DRAWING IS THE SOLE PROPERTY OF NATIONWIDE INDUSTRIES. ANY REPRODUCTION IN PART OR AS A WHOLE WITHOUT THE WRITTEN PERMISSION OF NATIONWIDE INDUSTRIES IS PROHIBITED.		
NON SELF CLOSING HEAVY DUTY ORNAMENTAL HINGE		SIZE: A DWG. NO.: CS--NW216 SCALE: 1:3 WEIGHT:
		REV. - SHEET 1 OF 1